

2024

CID	CID003610	CID005061
		1 2
	2024 9 3 -4	
	2022 9 1 -2024 7 31	2022 9 1 -2024 7 31

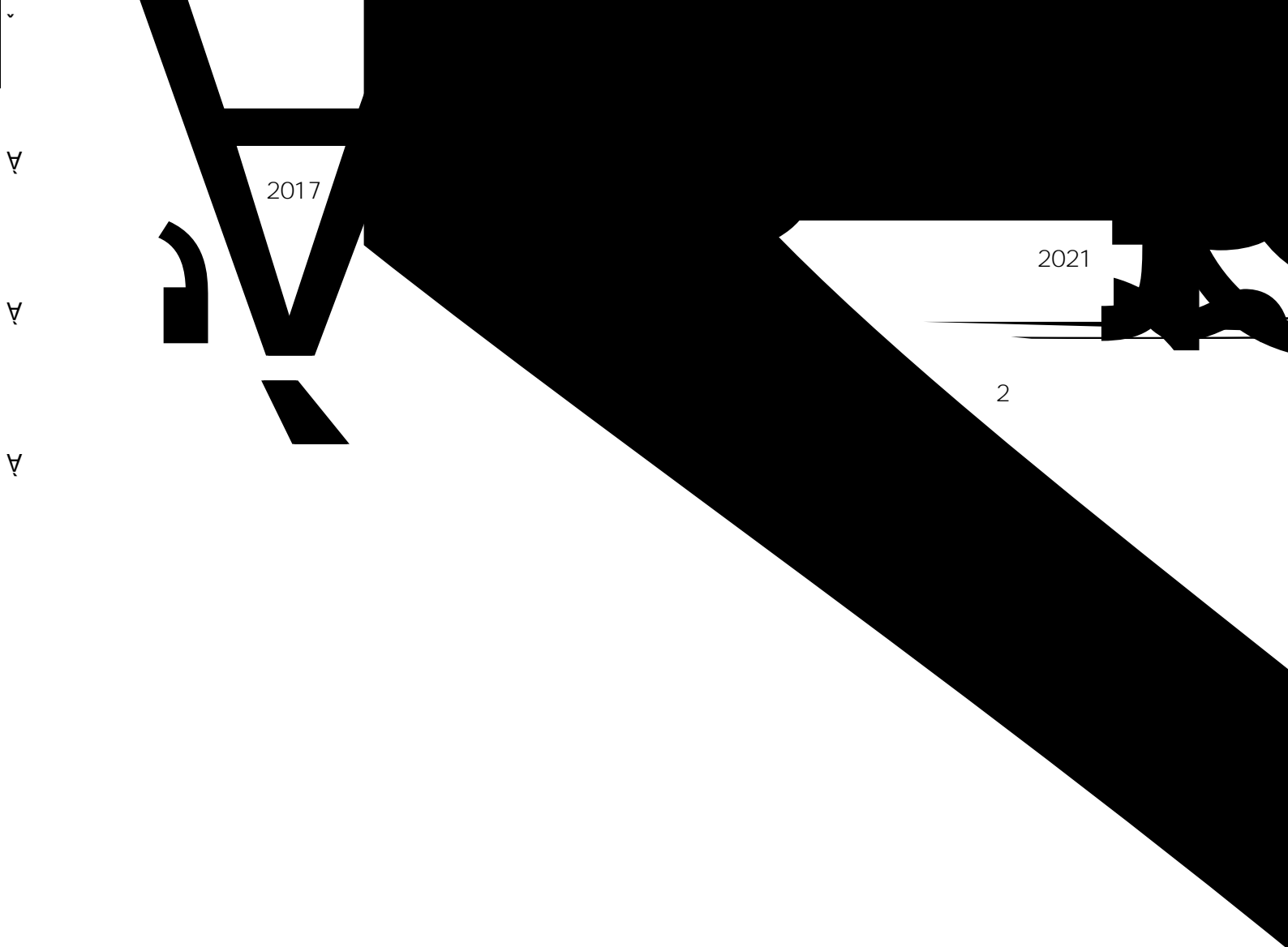
UL

<https://www.responsiblemineralsinitiative.org/media/docs/Public%20Reports/Guizhou%20CNGR%20Public%20Report.pdf>

2024 1 1 -2024 12 31

•

ž



2017

2021

2

À

À

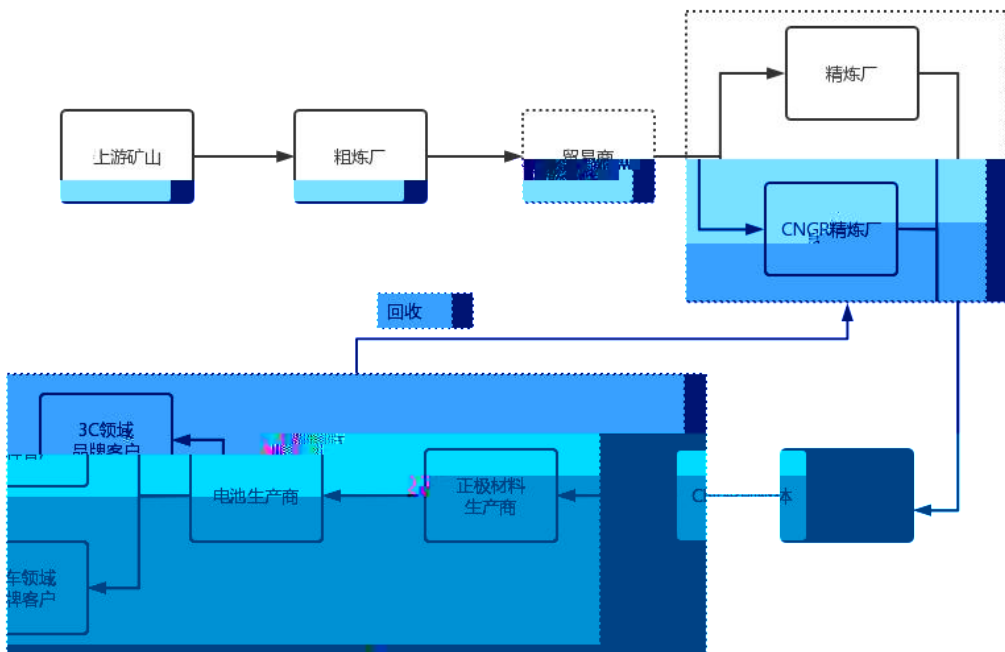
À

2024

100%

100%

100%



OECD

OECD

- 2022 9

RMAP

- 2024 9 ,

RMAP

CAP2

-

2024 12 31

0

